

# UT-355 Ultrasonic Line Voltage Ceiling Sensor

Architecturally appealing  
low-profile appearance

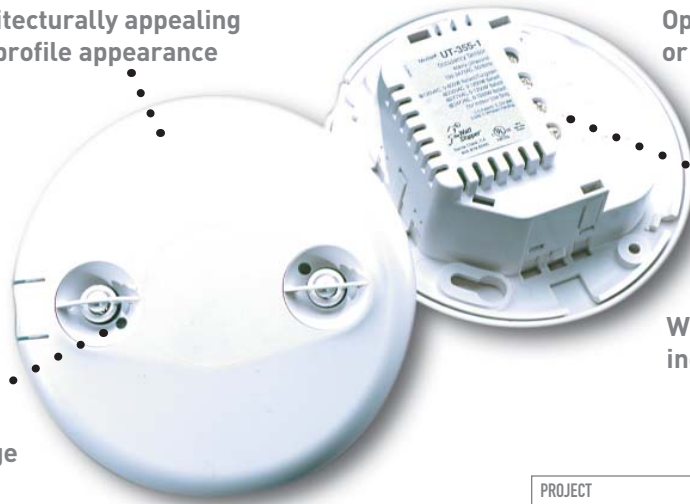
Operates at 120, 230, 277  
or 347 VAC, 50/60 Hz

Utilizes advanced,  
omni-directional,  
Doppler technology

Terminal wiring for quick  
and easy installation

Ultrasonic diffusers  
provide more  
comprehensive coverage

Walk-through Mode  
increases savings potential



PROJECT

LOCATION/TYPE

## Product Overview

### Description

Watt Stopper/Legrand's low-profile UT-355 Ultrasonic Line Voltage Ceiling Sensor automatically turns lighting on and off based on occupancy. The sensor mounts on the ceiling with a flat, unobtrusive appearance and provides 360° coverage.

### Operation

The UT-355 is line voltage and operates at 120, 230, 277, or 347 VAC. It uses the Doppler Principle and high frequency (40 KHz) ultrasound to sense occupancy and automatically turn lighting on. When no occupancy is detected for the length of the time delay, lighting automatically turns off.

### SmartSet™

UT-355 Sensors have built-in SmartSet technology that continuously monitors the controlled space to identify usage patterns. Based on these patterns, UT sensors automatically adjust time delay and sensitivity settings for optimal performance and energy efficiency. The sensor assigns short delays (as low as five minutes) for times when the space is usually vacant, and longer delays (up to 30 minutes) for busier times.

### Application

UT sensors offer excellent control of lighting for many spaces, including restrooms and large offices. The UT sensors' performance and ease of installation will provide fast paybacks and many years of energy savings.

## Features

- Advanced control logic based on RISC microcontroller provides:
  - Advanced Signal Processing to eliminate false triggers and provide immunity to RFI and EMI
  - SmartSet to automatically adjust sensitivity and time delay settings to fit occupant patterns
  - Walk-through Mode to turn lights off three minutes after the area is initially occupied, ideal for brief visits such as mail delivery
- LED indicates occupancy detection
- Coverage 500-2,000 square feet
- DIP switch simplifies sensor adjustments
- Patented ultrasonic diffusion technology spreads coverage to a wider area
- Clip mounting system makes ceiling tile installation simple
- Terminal wiring system provides quick and easy installation

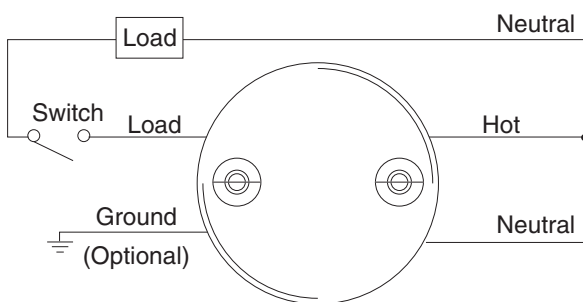


## Specifications

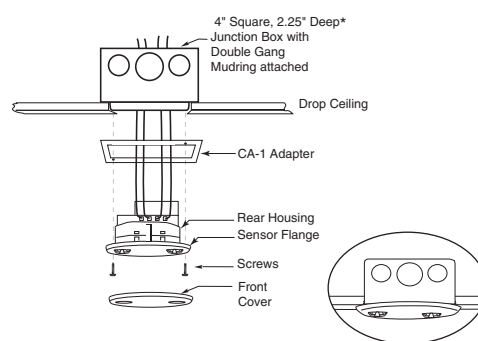
- 120/230/277/347 VAC, 50/60 Hz
- Time delays: SmartSet (automatic), fixed (5, 10, 15, 20, or 30 minutes), Walk-through & Test modes
- Sensitivity adjustment: SmartSet (automatic) or reduced sensitivity
- Ultrasonic frequency of 40 kHz
- Mounting options: 4" square junction box with double-gang mud ring; 4" octagonal junction box
- Dimensions: 4.5" x 1.45" (114.3mm x 25.9mm) diameter x depth
- UL and CUL listed; five-year warranty

## Wiring & Mounting

### Wiring & Controls

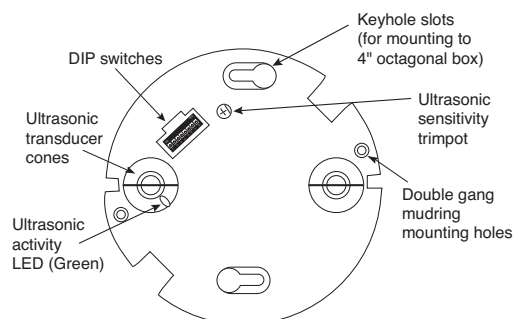


### Ceiling Mounting



## Controls & Settings

### Product Controls



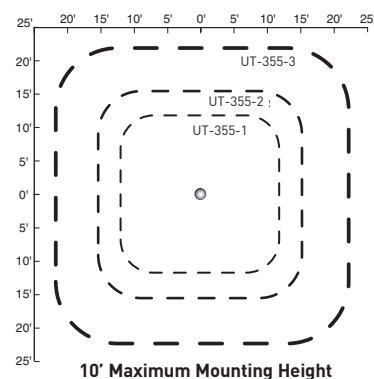
### DIP Switch Settings

<b>On Mode</b> 1	Auto On	←	Time Delay 3	5 sec/SmartSet	↑	4	5
	Manual On	●		5 minutes	→		
				10 min.	↑		
				10 minutes	→		
				15 min.	↑		
				15 minutes	→		
				20 minutes	↑		
				30 min.	→		
<b>Override</b> 2	Normal	←					
	Override	●					
<b>LED</b> 6	Disabled	←					
	Enabled	●					

◀ = Factory Setting  
 ● = ON  
 - = OFF  
 ⚡ = walk-through mode

## Coverage & Placement

### Coverage



Coverages shown represent half-step walking motion when sensor is mounted 8'-10' high. Actual coverage can vary for each application depending on the shape and use of space and the obstacles present.

## Ordering Information

Catalog No.	Voltage/Description	Load Requirement	Coverage
<input type="checkbox"/> UT-355-1	120 VAC, 50/60 Hz;	0-800 W Ballast/ Tungsten,	500 ft <sup>2</sup> [45.5 m <sup>2</sup> ]
<input type="checkbox"/> UT-355-2	230/277 VAC, 50/60 Hz; or	0-1200 W Ballast, or	1000 ft <sup>2</sup> [92.9 m <sup>2</sup> ]
<input type="checkbox"/> UT-355-3	347 VAC, 50/60 Hz	0-1500 W Ballast	2000 ft <sup>2</sup> [185.8 m <sup>2</sup> ]
<input type="checkbox"/> CA-1	Cosmetic adapter for ceiling installations with 4" square j-box or Wiremold #V5752 box		

Sensors are white.